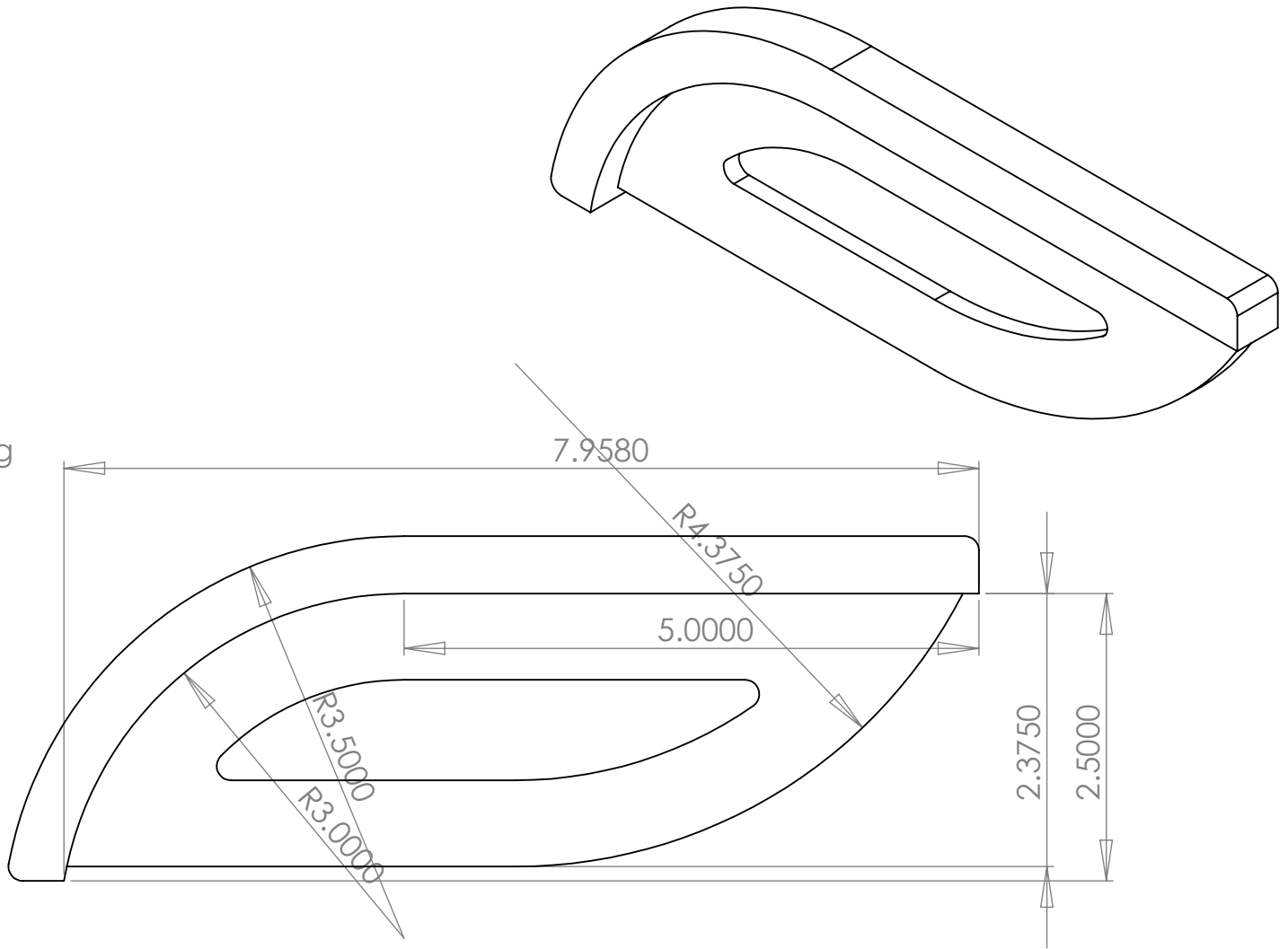


0.5000 Overall
0.3125 Overhang

0.1875 Blade



Available in cast Bronze with brown patina or
White Tombasil (white brass) with matte clear coat

TITLE:

CharlotteR3.0
for 3" Radius Bullnose

SIZE

DWG. NO.

REV

A Charlottecutsh

SCALE: 1:1.5 WEIGHT: 1.74 lbs SHEET 1 OF 1

PROPRIETARY AND CONFIDENTIAL
THE INFORMATION CONTAINED IN THIS
DRAWING IS THE SOLE PROPERTY OF
INTELLICEPT. ANY REPRODUCTION IN
PART OR AS A WHOLE WITHOUT THE
WRITTEN PERMISSION OF
INTELLICEPT IS PROHIBITED.

MATERIAL

FINISH

5

4

3

2

1