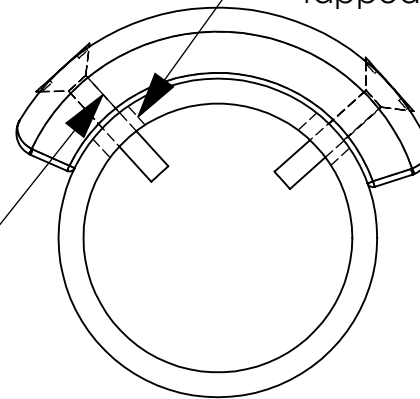
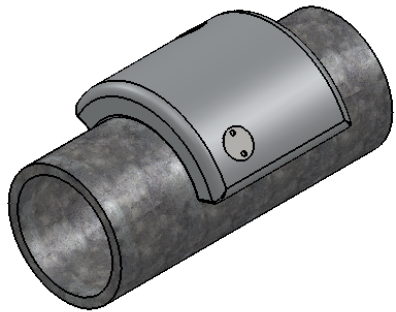
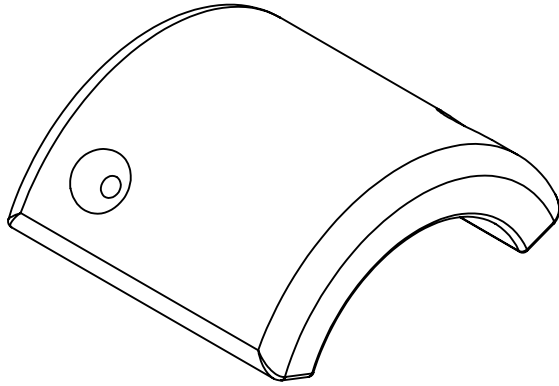


8 7 6 5 4 3 2 1
THE INFORMATION CONTAINED IN THIS DRAWING IS THE SOLE PROPERTY OF INTELICEPT. ANY REPRODUCTION IN PART OR WHOLE WITHOUT THE WRITTEN PERMISSION OF INTELICEPT IS PROHIBITED.

PATENTED HR Series

Cast Aluminum with clear anodize
Available in Cast Bronze (special order)

- 1.32" OD - PN#HR1.32
- 1.5" OD - PN#HR1.5
PN#HRAS1.5
- 1.6" OD - PN#HR1.6
- 1.75" OD - PN#HR1.75
- 1.9" OD - PN#HR1.9



Drill 1/4" clearance holes on rail. Epoxy will create insular ring around fastener as it threads through tapped holes on bracket

Tamper resistant screws are threaded through bracket and cross lock to rail. No tapping on rail is required.

INTELICEPT
SAN DIEGO, CALIFORNIA, U.S.A.

HR Series
(anchor illustration only - see photos for finish)

SIZE A	DWG. NO.	REV.
SCALE	CAD FILE:	SHEET OF
	2	1