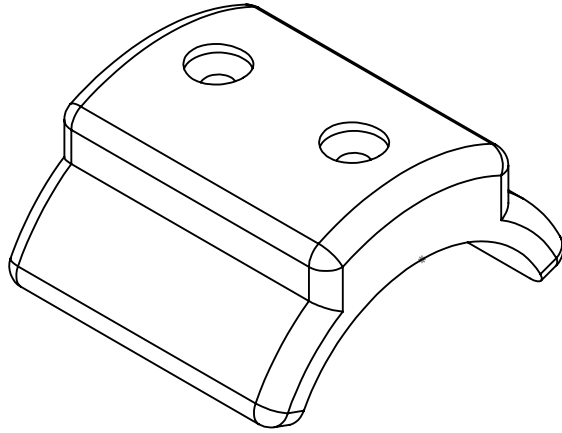
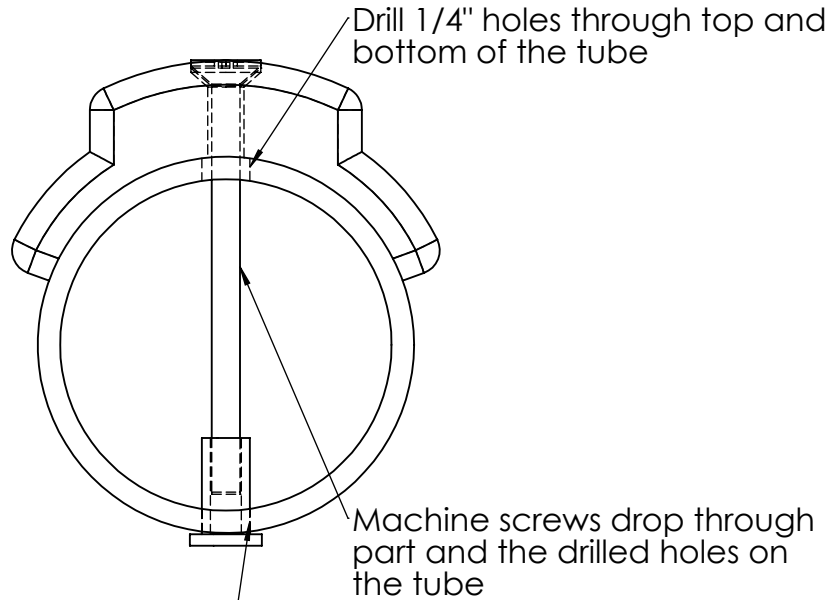


Cast Aluminum with clear anodize

1.6" OD - PN# HAND1.6  
 PN# OAKHAND1.6  
 1.9" OD - PN# HAND1.9  
 PN# OAKHAND1.9



Barrel Nut inserts into the bottom hole.



UNLESS OTHERWISE SPECIFIED  
 DIMENSIONS ARE IN INCHES

INTELLICEPT, CA USA

MATERIAL

FINISH

Hand Series  
 (anchor illustration only -  
 see photos for finish)

SCALE

CAD FILE:

SHEET