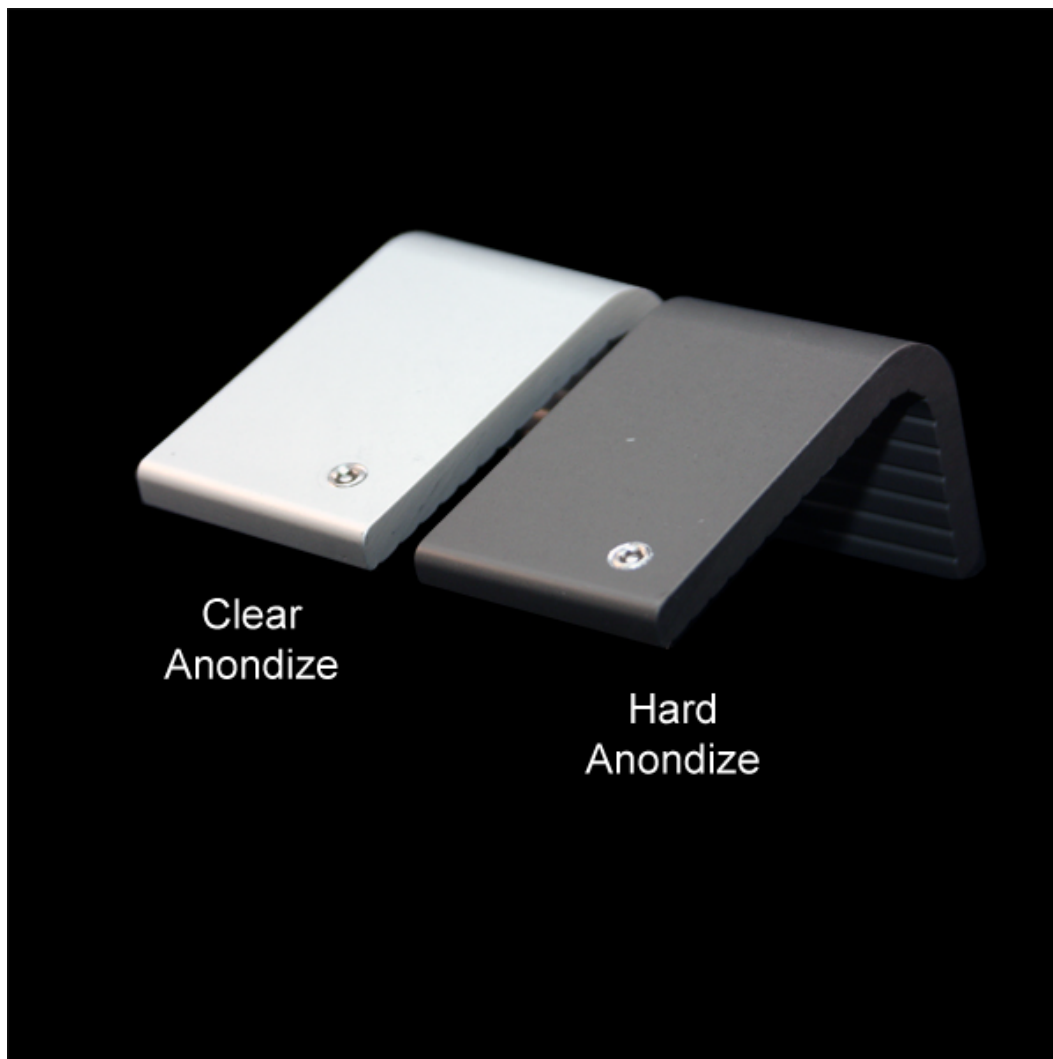




1547 N. Cuyamaca, El Cajon, CA 92020
Tel 619-447-6374 Fax 619-447-6396

www.skatestoppers.com

EA/ER Series (Material)



Clear
Anodize

Hard
Anodize

Alloy

6061-T6 Aluminum*

Finish

Hard Tumble with Clear Anodize

Hard Tumble with Hard Anodize

Custom Color Available (minimums and surcharges apply)

*min. 75% recycled content

PRODUCT DETAILS

FA 90A

(FA Series - Surface Mount Aluminum)



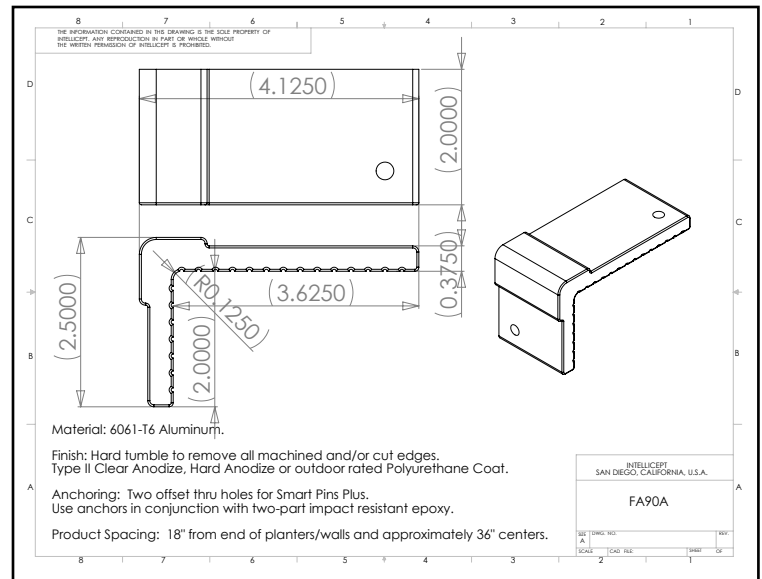
1547 N. Cuyamaca, El Cajon, CA 92020
Tel 619-447-6374 Fax 619-447-6396

www.skatestoppers.com

Description: This patented part is designed for 90 degree walls with 1/8" radius edge. Model FA90A is most commonly used on granite, marble, stone, block, brick, or other surfaces with a hard corner and no vertical clearance restrictions. This part uses two SMART PINS PLUS anchors.



(shown in Clear Anodize)



Material: 6061-T6 Aluminum

Finish: Hard tumbled to remove all machined and/or cut edges. Aluminum finish options include Type II Clear Anodize or Hard Anodize.

Corner Radius: For square corner from 1/8" - 3/8" radius.

Outside Dimensions: 2" (wide) x 4-1/8" (deep) x 2-1/2" (tall)

Anchoring: Anchored with two offset thru holes for SMART PINS PLUS anchors. Use anchors in conjunction with two-part epoxy.

Product Spacing: 18" from end of planters/walls and approximately 36" centers. Do not apply at grout joints.

PRODUCT DETAILS

FA 902.5

(FA Series - Surface Mount Aluminum)



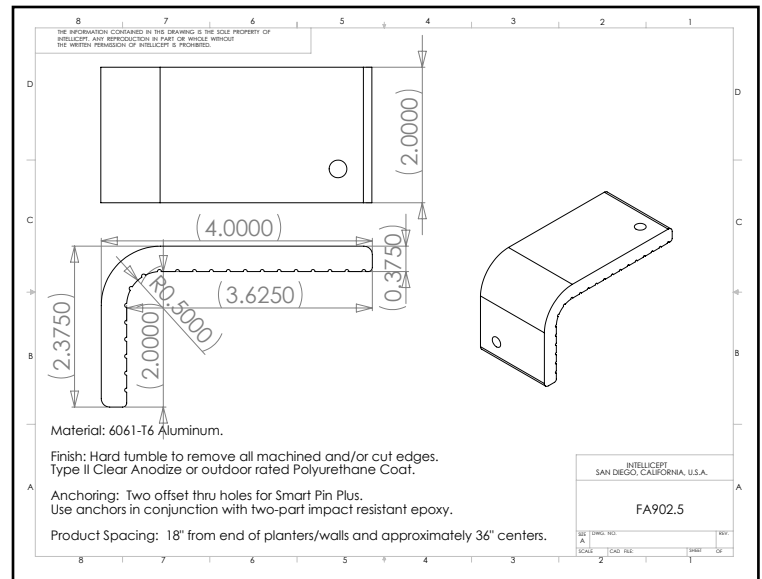
1547 N. Cuyamaca, El Cajon, CA 92020
Tel 619-447-6374 Fax 619-447-6396

www.skatestoppers.com

Description: This patented part is designed for 90 degree walls with 1/2" radius edge. FA902.5 is most commonly used on poured concrete. This part uses two SMART PINS PLUS anchors.



(shown in Clear Anodize)



Material: 6061-T6 Aluminum

Finish: Hard tumbled to remove all machined and/or cut edges. Aluminum finish options include Type II Clear Anodize or Hard Anodize.

Corner Radius: For corner with 1/2" radius.

Outside Dimensions: 2" (wide) x 4" (deep) x 2-3/8" (tall)

Anchoring: Anchored with two offset thru holes for SMART PINS PLUS anchors. Use anchors in conjunction with two-part epoxy.

Product Spacing: 18" from end of planters/walls and approximately 36" centers. Do not apply at grout joints.

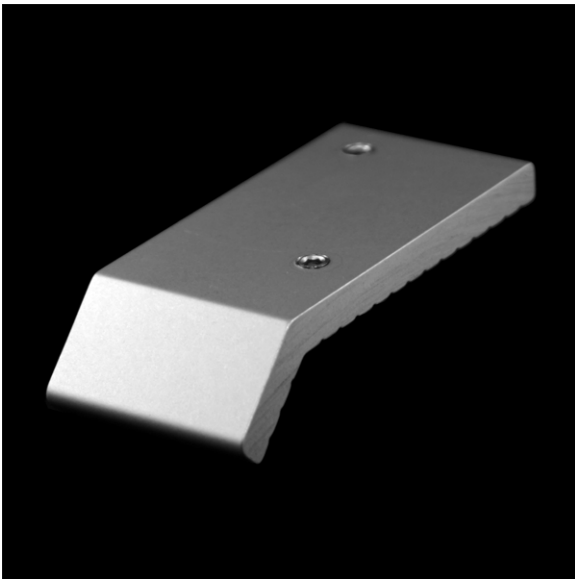
PRODUCT DETAILS

FA 135

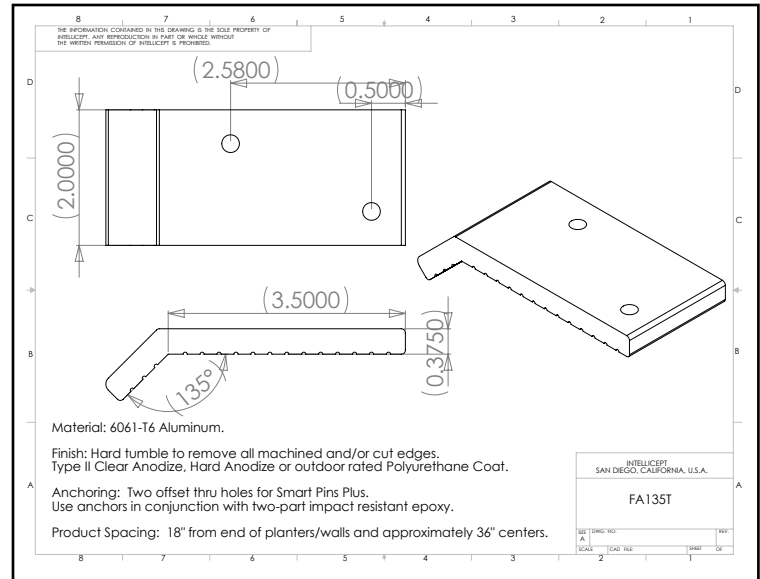
(FA Series - Surface Mount Aluminum)



Description: This part is designed for 3/4" chamfered edge walls (walls with a 45 degree cut off the corner). Model FA135 is most commonly used on poured concrete, but it may be used on granite, marble or pre-cast concrete. This part uses two SMART PINS PLUS anchors. For 1/2" chamfer, see FA 135 short.



(shown in Clear Anodized)



Material: 6061-T6 Aluminum

Finish: Hard tumbled to remove all machined and/or cut edges. Aluminum finish options include Type II Clear Anodize or Hard Anodize.

Corner Radius: For 3/4" or greater chamfer corner.

Outside Dimensions: 2" (wide) x 3-1/2" (deep) x 1-1/8" (tall)

Anchoring: Anchored with two offset thru holes for SMART PINS PLUS anchors. Use anchors in conjunction with two-part epoxy.

Product Spacing: 18" from end of planters/walls and approximately 36" centers. Do not apply at grout joints.

PRODUCT DETAILS

FA 135-short

(FA Series - Surface Mount Aluminum)



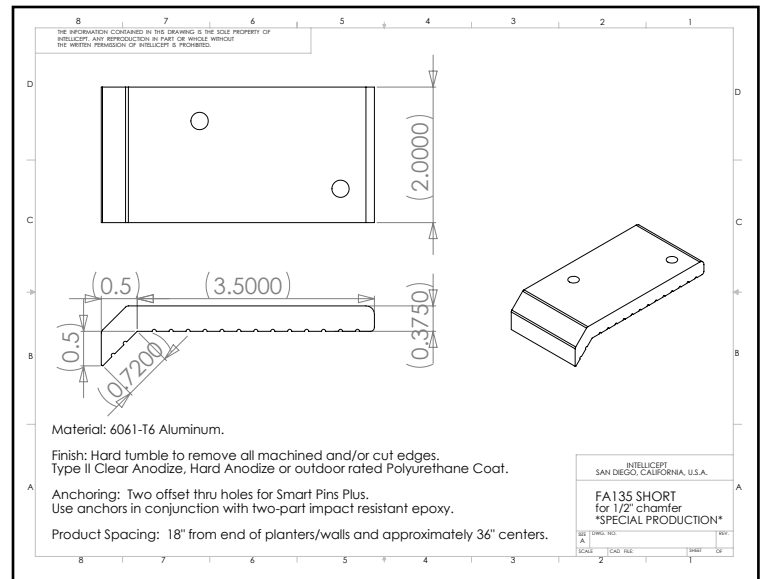
1547 N. Cuyamaca, El Cajon, CA 92020
Tel 619-447-6374 Fax 619-447-6396

www.skatestoppers.com

Description: This part is designed for 1/2" chamfered edge walls (walls with a 45 degree cut off the corner). Model FA135 is most commonly used on poured concrete, but it may be used on granite, marble or pre-cast concrete. This part uses two SMART PINS PLUS anchors. For 3/4" chamfer, see FA 135.



(shown in Clear Anodized)



Material: 6061-T6 Aluminum

Finish: Hard tumbled to remove all machined and/or cut edges. Aluminum finish options include Type II Clear Anodize or Hard Anodize.

Corner Radius: For 3/4" or greater chamfer corner.

Outside Dimensions: 2" (wide) x 4" (deep) x 1-1/8" (tall)

Anchoring: Anchored with two offset thru holes for SMART PINS PLUS anchors. Use anchors in conjunction with two-part epoxy.

Product Spacing: 18" from end of planters/walls and approximately 36" centers. Do not apply at grout joints.

PRODUCT DETAILS

FR 0.12

(FR Series - Surface Mount Aluminum)



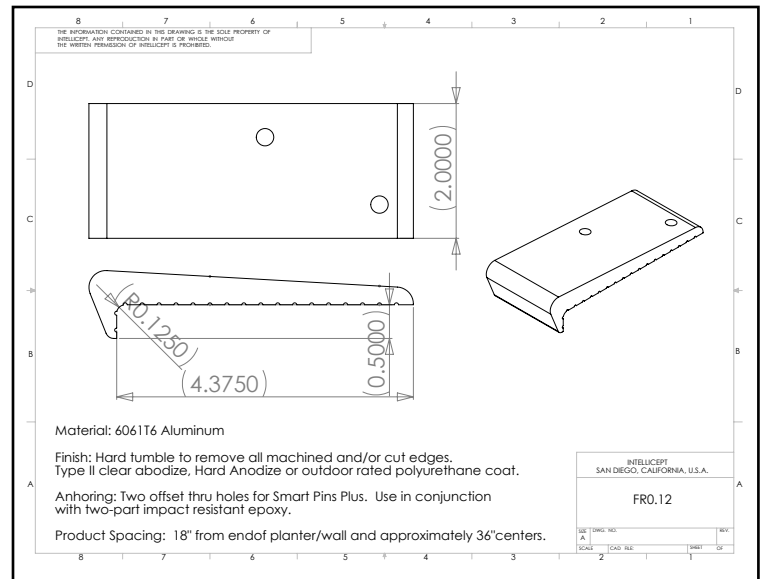
1547 N. Cuyamaca, El Cajon, CA 92020
Tel 619-447-6374 Fax 619-447-6396

www.skatestoppers.com

Description: This part is designed for walls with 1/8" radius edge (may be used in place of model FA 90). FR0.12 is most commonly used on granite, marble, stone, block, brick, or other surfaces with a hard corner. This part uses two SMART PINS PLUS anchors.



(shown in Clear Anodize)



Material: 6061-T6 Aluminum

Finish: Hard tumble to remove all machined and/or cut edges. Aluminum finish options include Type II Clear Anodize or Hard Anodize.

Corner Radius: For square corner from 1/8" - 3/8" radius.

Outside Dimensions: 2" (wide) x 4-3/4" (deep) x 1" (tall)

Anchoring: Anchored with two offset thru holes for SMART PINS PLUS anchors. Use anchors in conjunction with two-part epoxy.

Product Spacing : 18" from end of planters/walls and approximately 36" centers. Do not apply at grout joints.

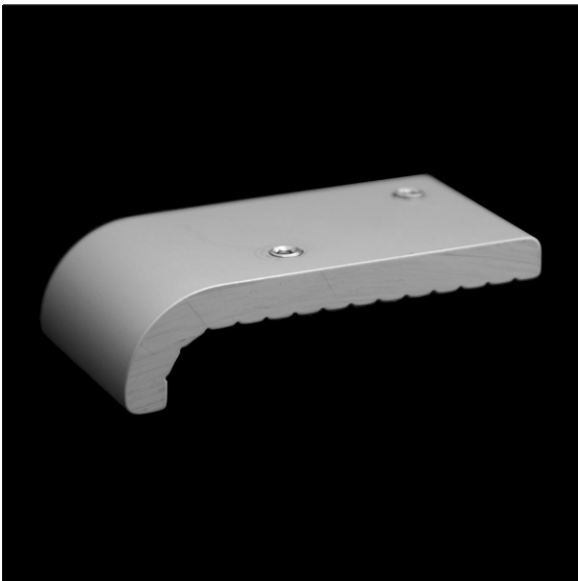
PRODUCT DETAILS

FR 0.5

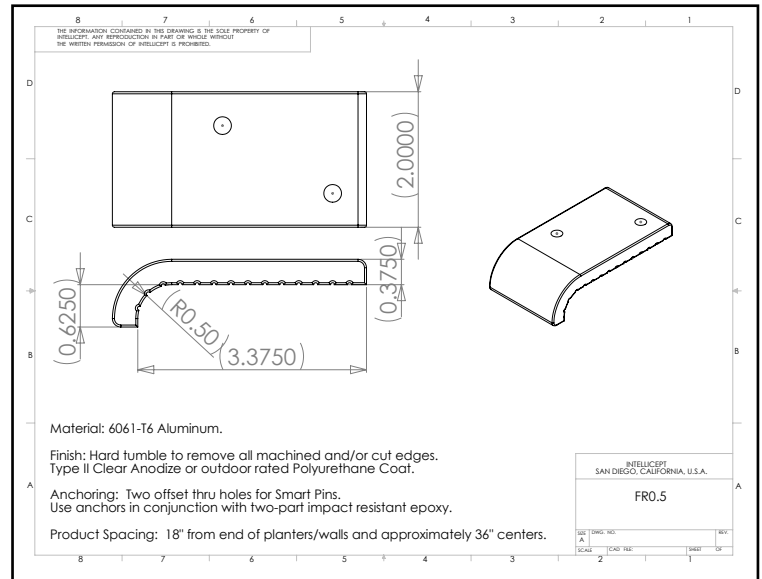
(FR Series - Surface Mount Aluminum)



Description: This part is designed for walls with 1/2" radius edge (may also be used in place of model FA902.5).



shown in Clear Anodize



Material: 6061-T6 Aluminum

Finish: Hard tumble to remove all machined and/or cut edges. Aluminum finish options include Type II Clear Anodize or Hard Anodize.

Corner Radius: For corner with 1/2" radius.

Outside Dimensions: 2" (wide) x 3 3/4" (deep) x 1" (tall)

Anchoring: Two offset thru holes for Smart Pins Plus. Use anchors in conjunction with two-part epoxy.

Product Spacing: 18" from end of planters/walls and approximately 36" centers. Do not apply at grout joints.

PRODUCT DETAILS

FR 1.0

(FR Series - Surface Mount Aluminum)



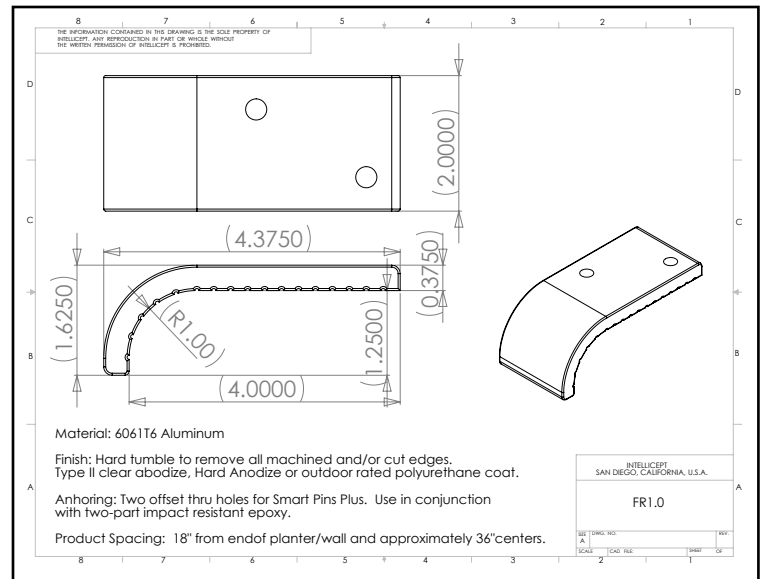
1547 N. Cuyamaca, El Cajon, CA 92020
Tel 619-447-6374 Fax 619-447-6396

www.skatestoppers.com

Description: This part is designed for walls with a 1" radius edge. Model FR 1.0 is commonly used on 2" bullnose brick and poured concrete with 1" radius edge. This part uses two SMART PINS PLUS anchors.



(shown in Clear Anodize)



Material: 6061-T6 Aluminum

Finish: Hard tumble to remove all machined and/or cut edges. Aluminum finish options include Type II Clear Anodize or Hard Anodize.

Corner Radius: For corner with 1" radius.

Outside Dimensions: 2" (wide) x 4" (deep) x 1-5/8" (tall)

Anchoring: Anchored with two offset thru holes for SMART PINS PLUS anchors. Use anchors in conjunction with two-part epoxy.

Product Spacing: 18" from end of planters/walls and approximately 36" centers. Do not apply at grout joints.

PRODUCT DETAILS

FA 90CC

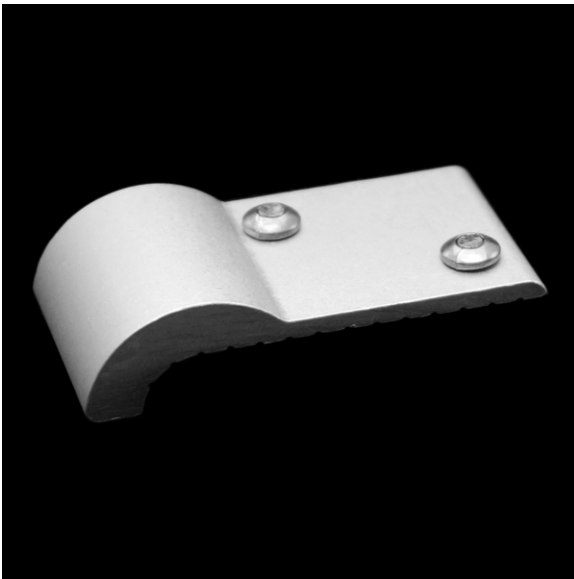
(FA Series - Surface Mount Aluminum)



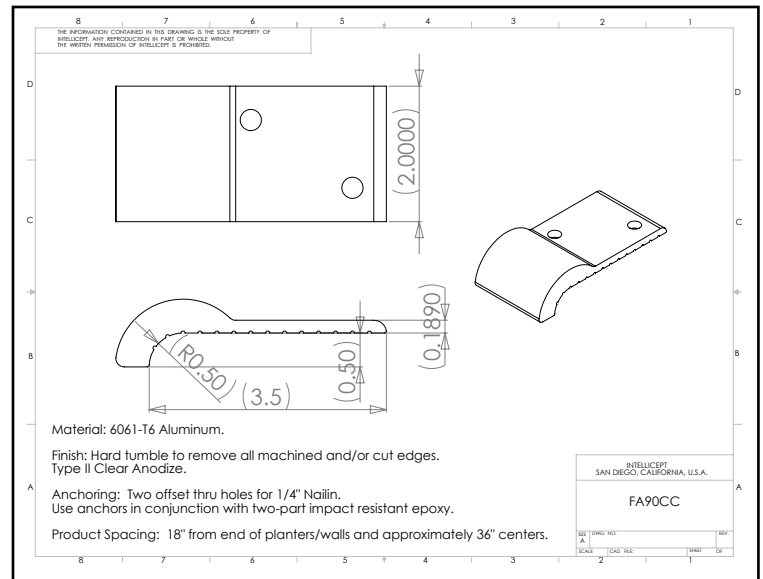
1547 N. Cuyamaca, El Cajon, CA 92020
Tel 619-447-6374 Fax 619-447-6396

www.skatestoppers.com

Description: This part is designed specifically for curb applications or for walls with a 1/2" radius edge (NOT FOR USE ON PRE-CAST CONCRETE). This part uses two 1/4" NAILINS.



(shown in Clear Anodize)



Material: 6061-T6 Aluminum

Finish: Hard tumbled to remove all machined and/or cut edges. Aluminum finish options include Type II Clear Anodize.

Corner Radius: For corner with 1/2" radius.

Outside Dimensions: 2" (wide) x 4" (deep) x 1" (tall)

Anchoring: Two offset thru holes for 1/4" NAILIN. Use anchors in conjunction with two-part epoxy.

Product Spacing: 18" from end of planters/walls and approximately 36" centers. Do not apply at grout joints.

PRODUCT DETAILS

FR 0.25PC

(FR Series - Surface Mount Aluminum)

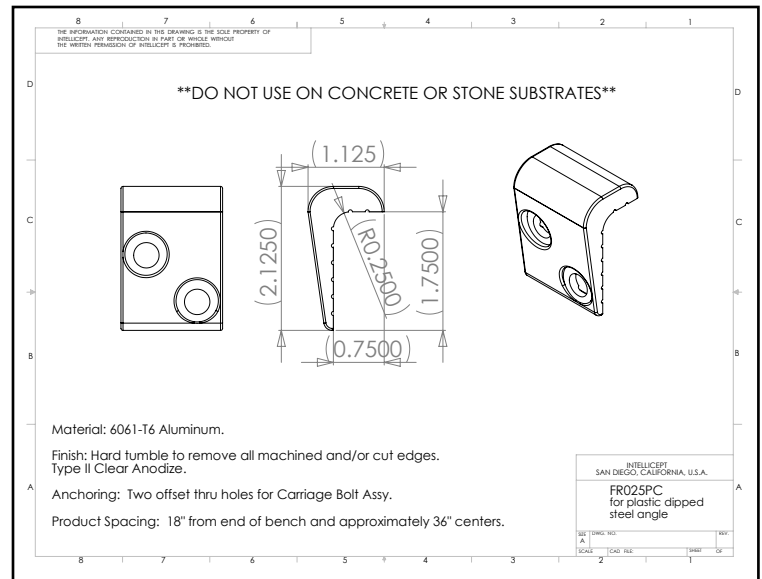


1547 N. Cuyamaca, El Cajon, CA 92020
Tel 619-447-6374 Fax 619-447-6396

www.skatestoppers.com

Description: This part is designed to fit plastic coated/expanded metal benches with a 1/4" radius edge. May be used some model fiberglass benches.

NOTE: NOT RECOMMENDED FOR WOOD OR PLASTIC BENCHES



Material: 6061-T6 Aluminum

Finish: Hard tumbled to remove all machined and/or cut edges. Aluminum finish options include Type II Clear Anodize.

Corner Radius: For corner with 1/4" radius.

Outside Dimensions: 1-1/2" (wide) x 1-1/8" (deep) x 2-1/8" (tall)

Anchoring: Two offset thru holes for Carriage Bolt Assy

Product Spacing : 18" from end of bench and approximately 36" centers.