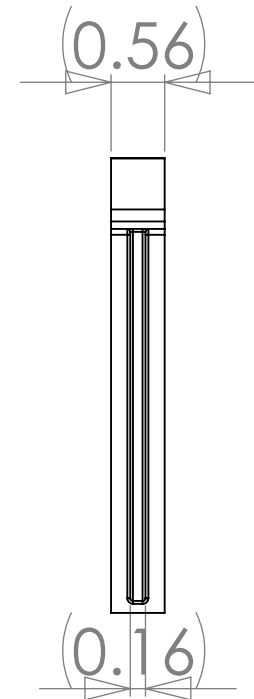
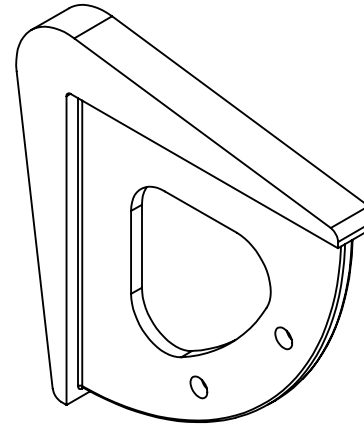
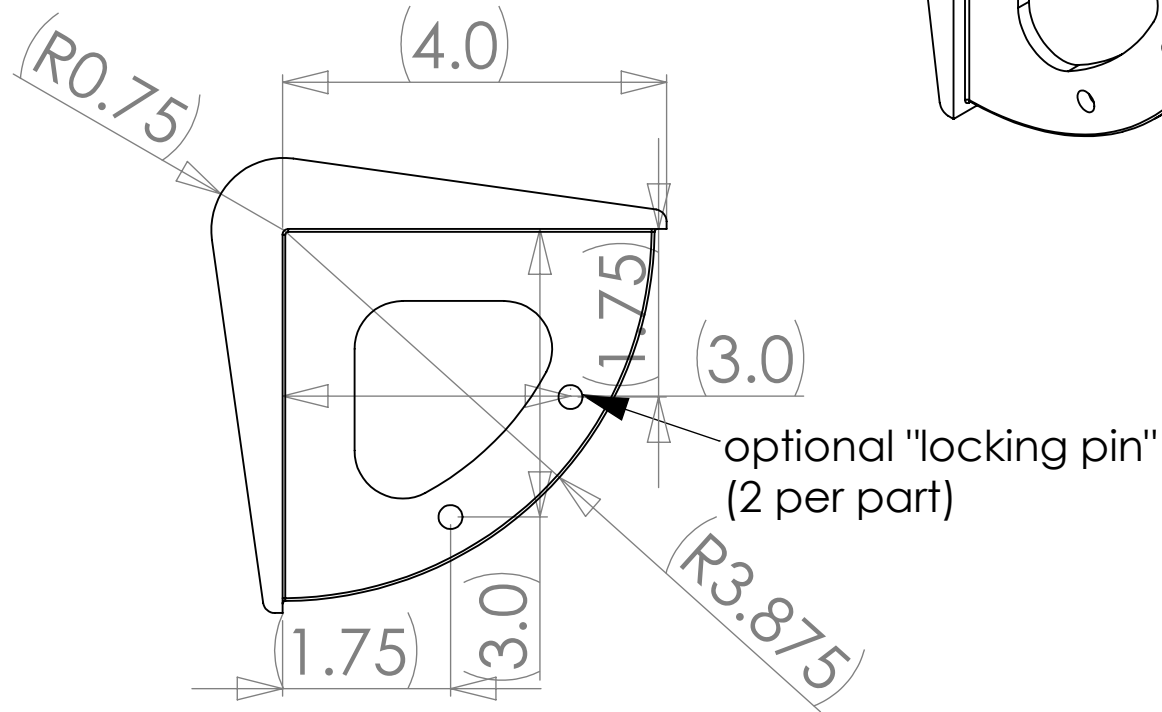


THE INFORMATION CONTAINED IN THIS DRAWING IS THE SOLE PROPERTY OF INTELLICEPT. ANY REPRODUCTION IN PART OR WHOLE WITHOUT THE WRITTEN PERMISSION OF INTELLICEPT IS PROHIBITED.



Material: Cast Bronze

Finish: Brush Finish with Brown Patina

Anchoring: Two 5/16-18 x 1.75" Stainless Locking Pins
Use locking pin in conjunction with two-part epoxy.

Product Spacing: 18" from end of walls and approximately 36" centers.

INTELLICEPT
SAN DIEGO, CALIFORNIA, U.S.A.

Pier Insert

SIZE A	DWG. NO.	REV.
SCALE	CAD FILE:	SHEET OF
	2	1