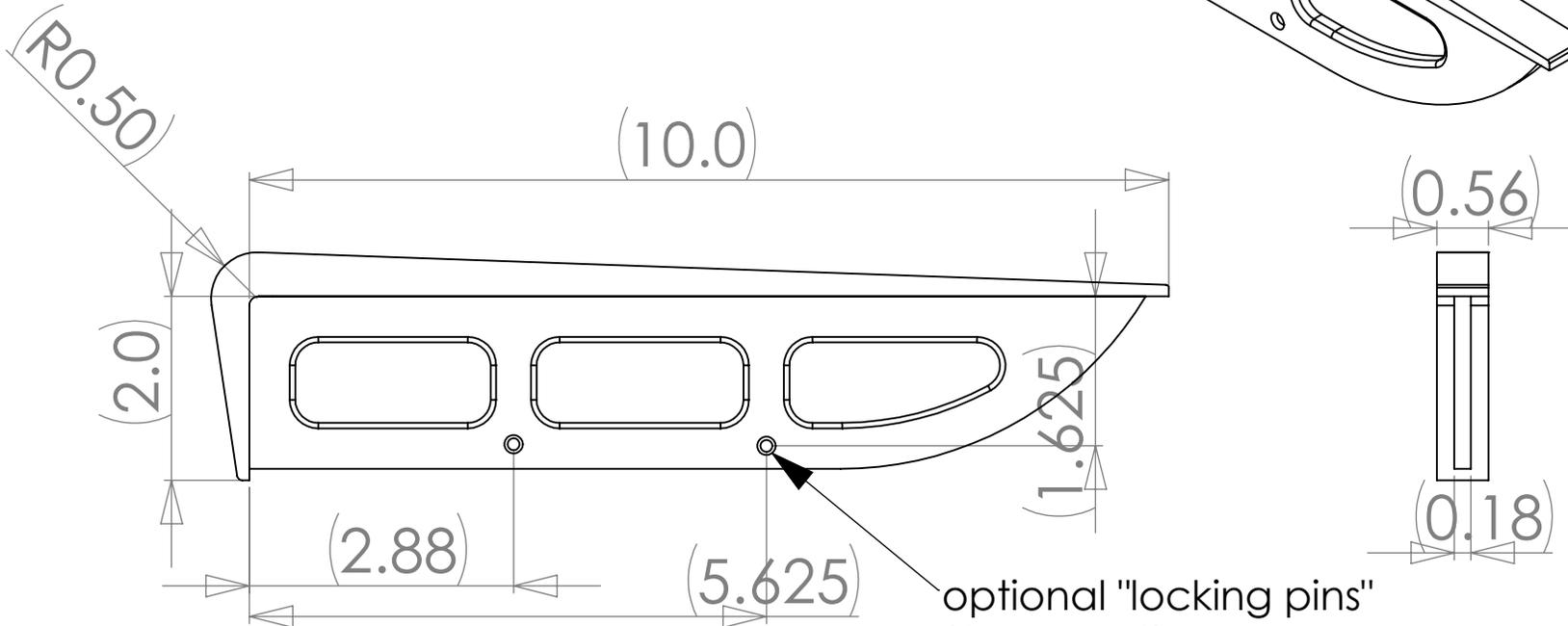
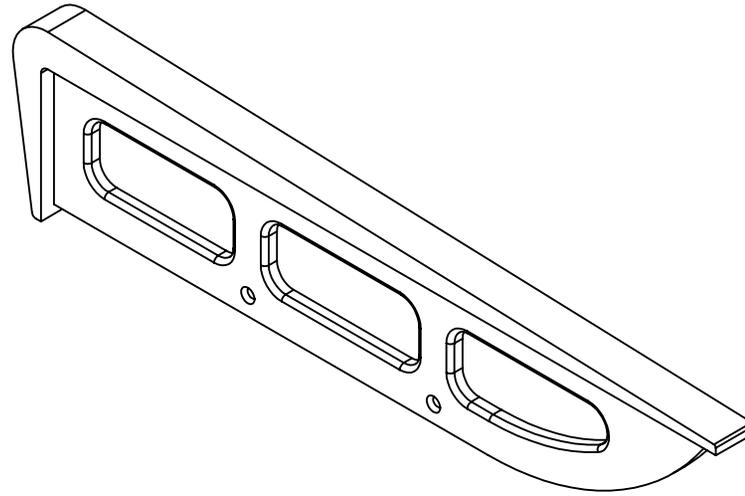


THE INFORMATION CONTAINED IN THIS DRAWING IS THE SOLE PROPERTY OF INTELLICEPT. ANY REPRODUCTION IN PART OR WHOLE WITHOUT THE WRITTEN PERMISSION OF INTELLICEPT IS PROHIBITED.



optional "locking pins"
(2 per part)

Material: Cast Silicon Bronze

Finish: Brush Finish with Brown Patina
Anchoring: Two 5/16-18 x 1.75" Stainless Locking Pin.
Use locking pin in conjunction with two-part epoxy.

Product Spacing: 18" from end of planters/walls and approximately 36" centers.

INTELLICEPT SAN DIEGO, CALIFORNIA, U.S.A.			
Los Angeles			
SIZE A	DWG. NO.	REV.	
SCALE	CAD FILE:	SHEET	OF