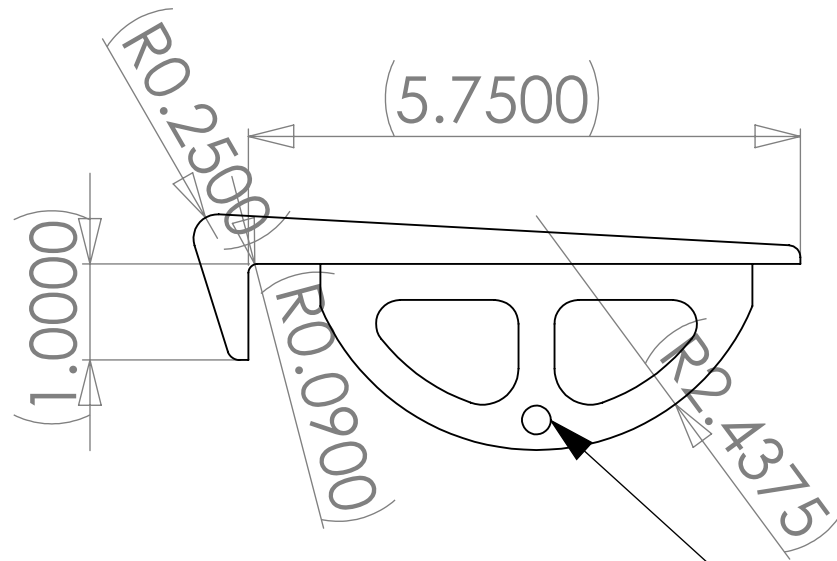
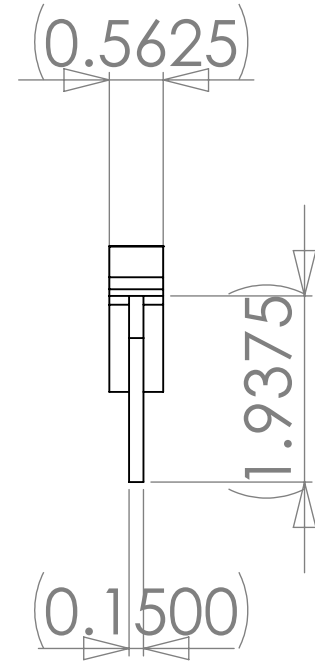


8 7 6 5 4 3 2 1

THE INFORMATION CONTAINED IN THIS DRAWING IS THE SOLE PROPERTY OF INTELLICEPT. ANY REPRODUCTION IN PART OR WHOLE WITHOUT THE WRITTEN PERMISSION OF INTELLICEPT IS PROHIBITED.



Optional Locking Pin



Cast 316 Stainless Steel with Brush Finish.

Use locking pin option for grout joint installations.

Spacing: 18-24" from corner to first/last piece and approx 30-48" on center for symmetry.

INTELLICEPT
SAN DIEGO, CALIFORNIA, U.S.A.

D90-6

SIZE A	DWG. NO.	REV.
SCALE	CAD FILE:	SHEET OF