

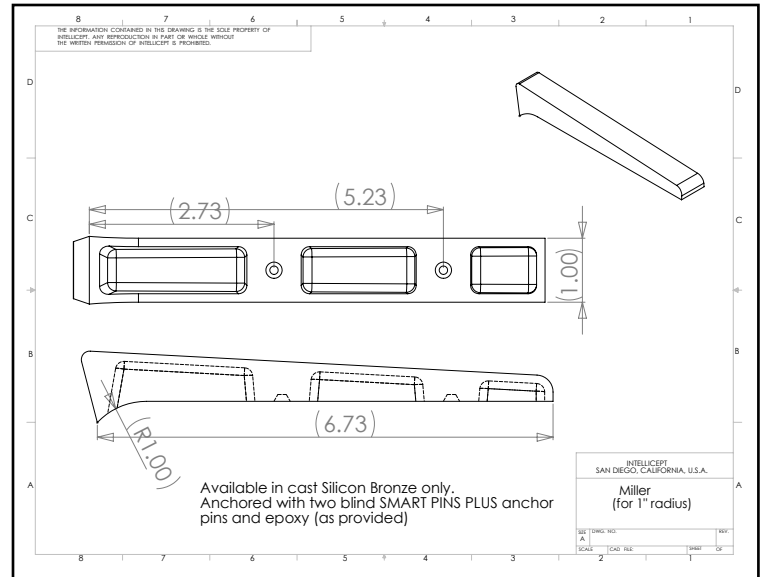
PRODUCT DETAILS

Miller

(Laser Series - Surface Mount)

Description: This cast part is designed for walls with a 1" radius edge. Miller is most commonly used on 2" bullnose brick and poured concrete with 1" radius edge. This part uses two concealed SMART PINS PLUS anchors.

This product is not intended for use on steps, stairs, sidewalk curb, or any pedestrian trafficked surfaces.



Material: Bronze

Bronze finish: Brown Patina with Satin Coat

Corner Radius: For corner with 1" radius.

Outside Dimensions: 1" (wide) x 6-3/4" (deep) x 1" (tall)

Anchoring: Anchored with two blind SMART PINS PLUS anchors. Use anchors in conjunction with two-part epoxy.

Product Spacing: 18" from end of planters/walls and approximately 36" centers. Do not apply at grout joints.

SKATE STOPPERS
1547 N. Cuyamaca, El Cajon, CA 92020
Tel 619-447-6374 Fax 619-447-6396
www.skatestoppers.com