

THE INFORMATION CONTAINED IN THIS DRAWING IS THE SOLE PROPERTY OF INTELLICEPT. ANY REPRODUCTION IN PART OR WHOLE WITHOUT THE WRITTEN PERMISSION OF INTELLICEPT IS PROHIBITED.

8 7 6 5 4 3 2 1

D

D

C

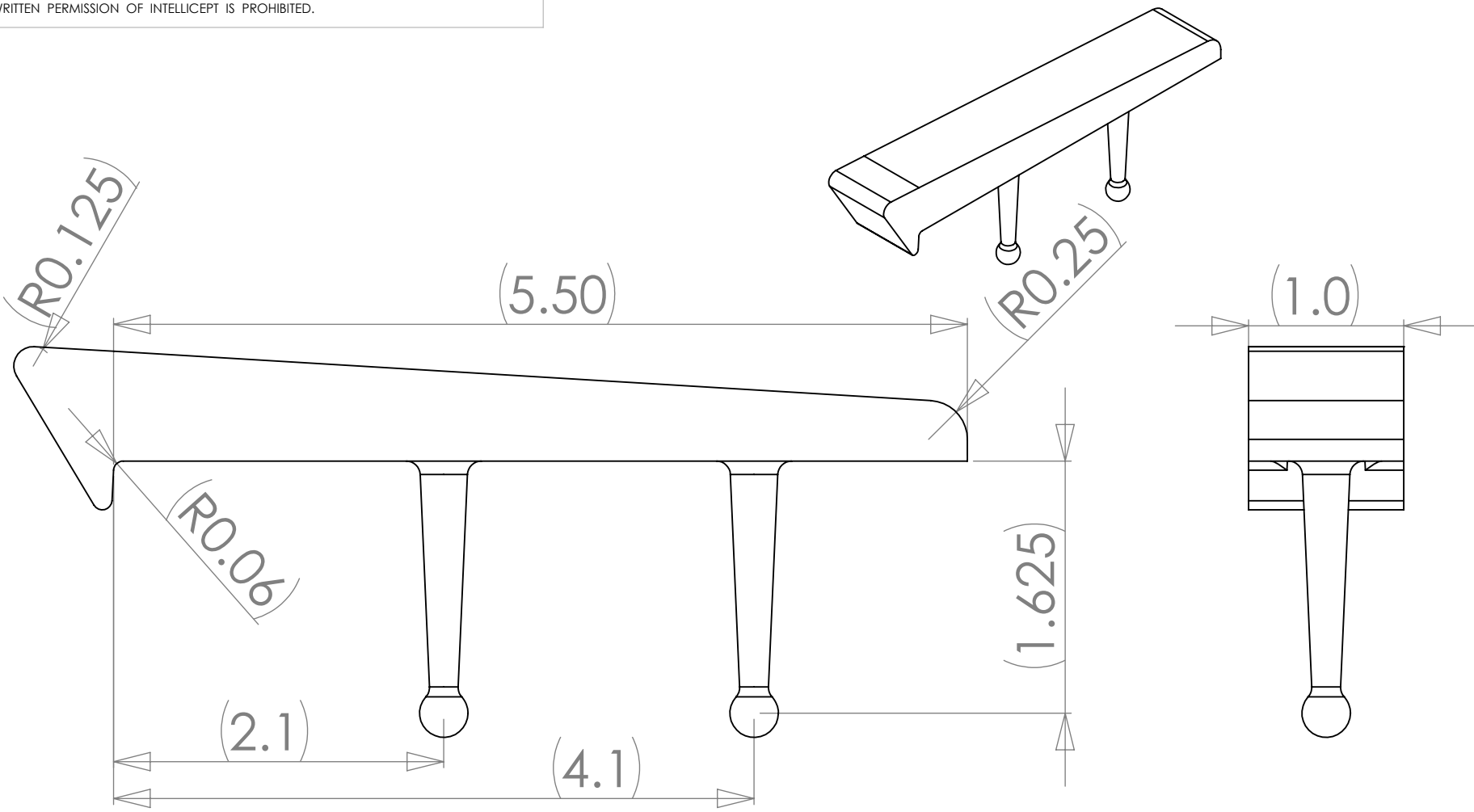
C

B

B

A

A



316 Stainless Steel surface mount. Drill and epoxy mounting pins into predrilled holes.

Spacing: product to be spaced 18-24" from end of the wall and approx 36" +/- 6" on center (do not exceed 4' max). Do not apply product at grout joint. For applications with grout joints, layout should be symmetric but part locations must be safe drilling distance from joint (min 4")

Not intended for use on steps, stairs, sidewalk curb or any other pedestrian trafficked surface.

INTELLICEPT SAN DIEGO, CALIFORNIA, U.S.A.			
<b>GM012SS 316 Stainless Steel</b>			
SIZE A	DWG. NO.	REV.	
SCALE	CAD FILE:	SHEET	OF
		2	1

8 7 6 5 4 3 2 1