

PRODUCT DETAILS

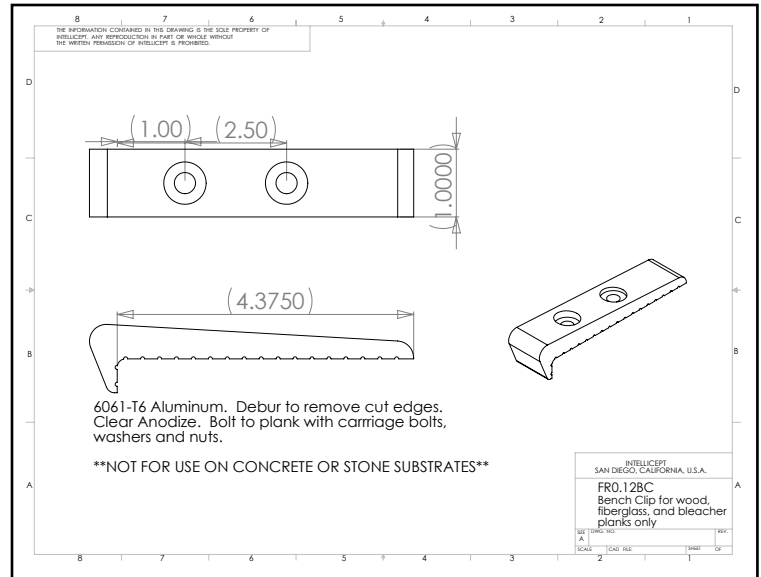
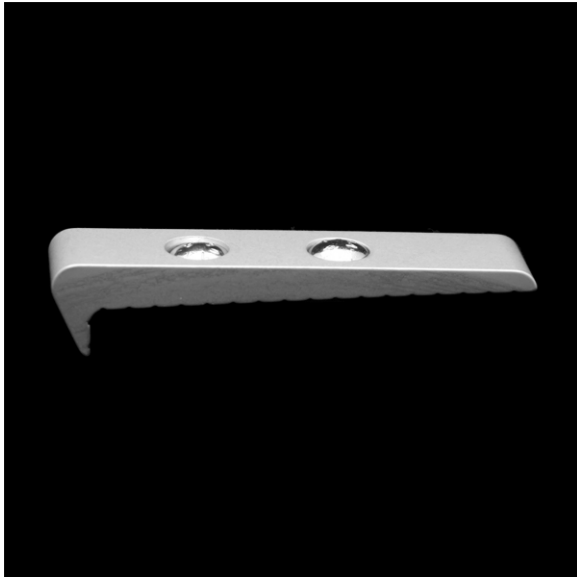
FR 0.12 BC

(FR Series - Surface Mount Aluminum)

Description: Model FR0.12BC is designed specifically for fiberglass, aluminum, plastic lumber or wood benches.

NOTE: THIS PART IS NOT TO BE USED ON CONCRETE, STONE, TILE, BRICK OR OTHER HARDSCAPE SUBSTRATES (Use FR 0.12)

This product is not intended for use on steps, stairs, sidewalk curb, or any pedestrian trafficked surfaces.



Material: 6061-T6 Aluminum

Finish: Hard tumbled to remove all machined and/or cut edges. Aluminum finish options include Type II Clear Anodize.

Corner Radius: For corner with 1/8" radius.

Outside Dimensions: 1" (wide) x 4-3/4" (deep) x 1" (tall)

Anchoring: Bolt to plank with carriage bolts, washers and nuts.

Product Spacing: 18" from end of bench and approximately 36" centers.

SKATE STOPPERS
1547 N. Cuyamaca, El Cajon, CA 92020
Tel 619-447-6374 Fax 619-447-6396
www.skatestoppers.com