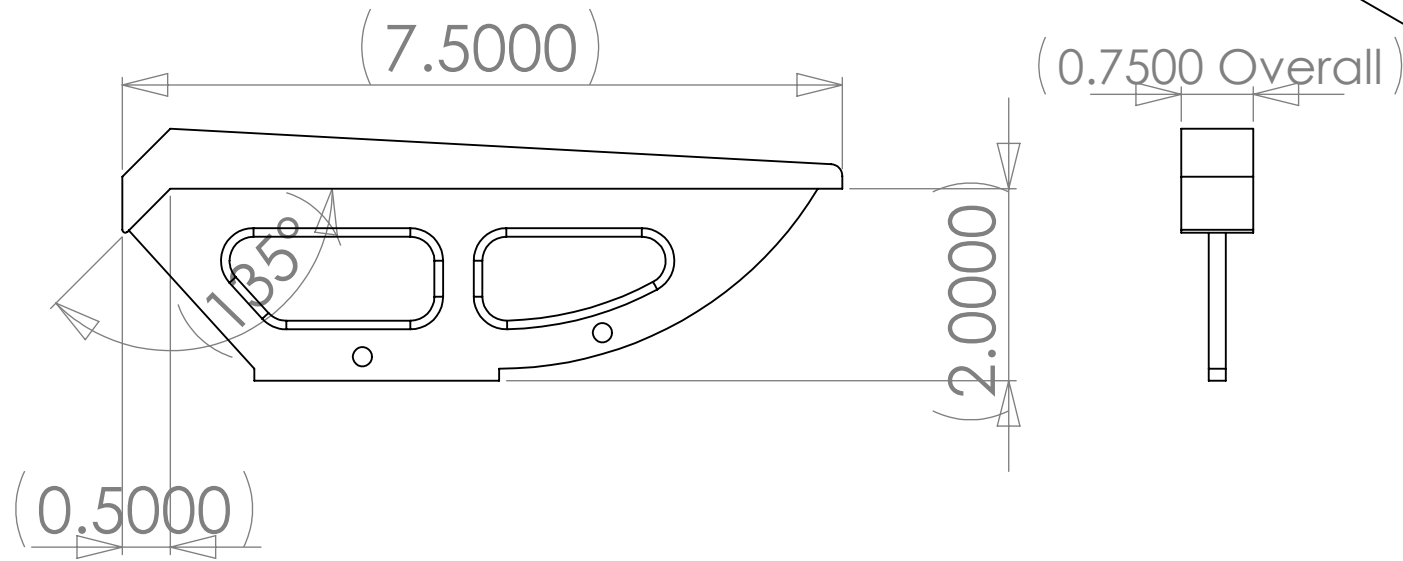


8 7 6 5 4 3 2 1

THE INFORMATION CONTAINED IN THIS DRAWING IS THE SOLE PROPERTY OF INTELLECT. ANY REPRODUCTION IN PART OR WHOLE WITHOUT THE WRITTEN PERMISSION OF INTELLECT IS PROHIBITED.



Material: Cast Bronze

Finish: Brush Finish with Brown Patina

Anchoring: Two 5/16-18 x 1.75" Stainless Locking Pins
Use locking pin in conjunction with two part epoxy

Product Spacing: Approx 18" from end of the wall and approx. 36" centers

INTELLECT
SAN DIEGO, CALIFORNIA, U.S.A.

San Marcos T
for Chamfer

SIZE A	DWG. NO.	REV.
SCALE	CAD FILE:	SHEET OF
2		1